

INSTRUCTIONS

FOR INSTALLATION,
OPERATION
AND MAINTENANCE OF

Forged Strainers [SAP]

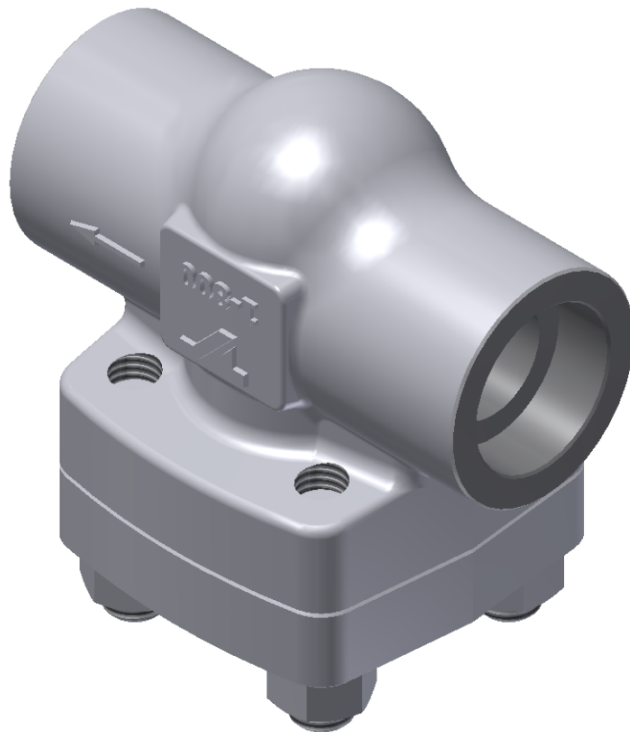


Table of Contents

1. General safety information's	3
2. Product description	3
3. Transport and storage	5
4. Installation and start-up	5
5. Usage and maintenance	7
6. Service and repair	8
7. Possible malfunctions and solutions	9
8. Guarantee	9



1. General safety information's

Instructions for installation, start-up and maintenance during the period of exploitation of strainers manufactured in the “Termovent SC” should be used as a manual intended for all personnel directly or indirectly involved in dealing with the aforementioned goods.

These instructions are only related to Strainers.

Operators in charge of installation, operation and maintenance of strainers during the period of use, should be fully trained for the correct / optimal performance of these tasks.

Because strainers in working conditions have hot parts (body and cover) and may cause burns, the operator has an obligation to undertake all necessary precautions to avoid such by using protective facilities.

Before the service or reinstallation of the strainers, the plant or installation should be taken out of operation (pressure 0 bar, temperature of strainers should be the same temperature as the environment).

These products are recyclable. No ecological hazard is anticipated with the disposal of these products providing due care is taken.

2. Product description

The main purpose of the Strainers is to collect solid particles and impurities from fluids in the pipeline.

If anything is unclear at the time of installation, start-up or during use, and not covered in these instructions, the departments of the “Termovent SC” should be contacted directly in order to obtain the required support.

All Strainers manufactured in “Termovent SC” are marked with following marks:

- Identification of manufacturer (“Termovent SC” logo);
- Nominal diameter of strainer NPS (inch) or DN(mm);
- Nominal pressure Class rating (#);
- Material designation of body and cover;
- Body and cover melt identification/heat number;
- Trim identification- material grade for net;
- Unique serial number;



- Arrow mark for allowable direction of flow;
- Date of manufacture (month and year) ;
- Maximum allowable pressure at maximal temperature according to ANSI B16.34
- Pipe ends flanges and body/bonnet flanges grooved for ring joints and the rings to be used with them shall be marked with corresponding ring number;
- Other marks in accordance with customer request or product standard.

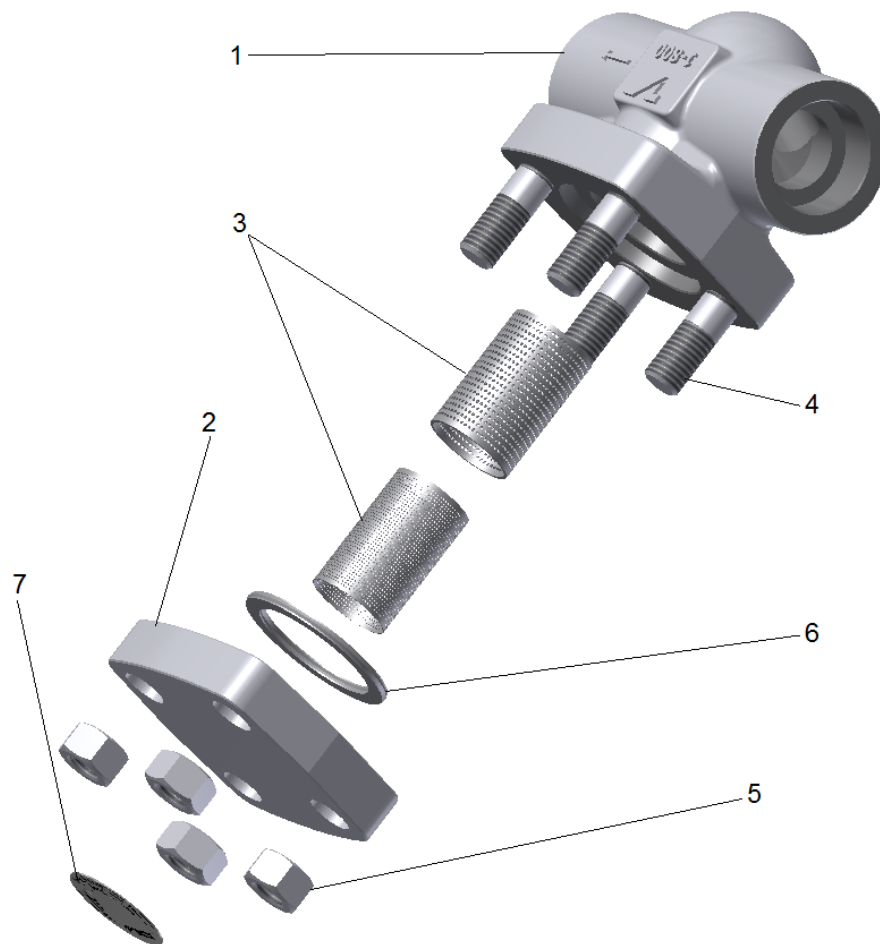


Fig. 1 Parts

Table 1

Pos.	Part Name	Quantity	Spare Parts
1	Body	1	
2	Cover	1	
3	Net	1	
4	Stud bolts	4	
5	Nuts	4	
6	Gasket	1	YES
7	Nameplate	1	

3. Transport and storage

Transport and storage of strainers should be performed at a temperature between -20°C to $+60^{\circ}\text{C}$ and should be protected against outer and atmospheric influences, as well as protecting painted surfaces against damage. The purpose of painted surfaces is to protect strainers against corrosion during transport and storage.

The basic version of strainers are protected with particular/special paints applied to the outer parts and protective preservatives inside. As such, any corrosion is prevented for a period of 6 months. Protection for special conditions is applied only with prior agreement.

It is recommended to store the strainers in closed, dry and ventilated storage facilities and to protect strainers against any atmospheric influence. In order to avoid the appearance of corrosion before the expiry of protection it is necessary to store the strainers on a pallet/crate or other appropriate place.

WARNING !!!

- You must not lift strainers using the connection flange holes
- You must not remove the protection covers from the strainer connection ends

4. Installation and start-up

After the removal of the protection covers it is necessary to thoroughly clean inside the strainer with compressed air.



When installing strainers with flanged ends it is necessary to take into consideration the selection of adequate bolt material and the appropriate type of gasket depending on the type of working fluid, pressure, temperature, and the type of flange facing. It is necessary to install gaskets strictly in accordance with instructions given from the manufacturer of the gaskets.

Strainers with welding ends should be welded onto the pipeline by an expert and with appropriate WPS. After welding, if necessary, local normalization should be performed and the inside of the pipeline should be cleaned to remove possible welding remains.

At the moment of installation the influence of the load of the pipeline on the strainer should be reduced. The same also applies for temperature oscillation, hydraulic impact and similar. The strainer should not be used as a support for a pipeline.

It is important to take care about the flow direction at the time of installation. The flow direction is indicated with the arrow mark casted or imprinted on the body of the strainer.

Mounting is allowed in any position, but it is recommended that the cover is positioned down Fig. 2, for easier cleaning and preventing the retention of impurities in the central part body. You must pay attention on direction of flow.

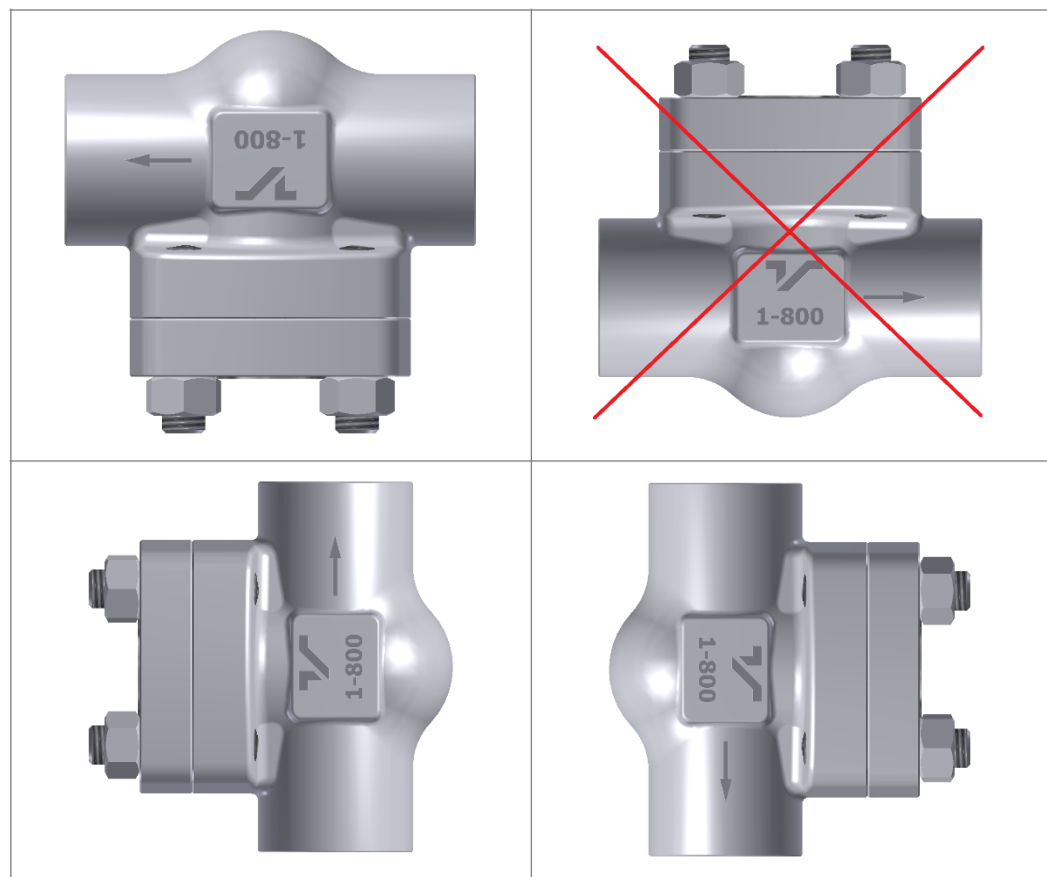


Fig. 2 Recommended mounting position

WARNING !!!

- You must not lift the strainer using the connection flange holes at the moment of the installation on the pipeline – you should use lifting straps.
- Before installation the impurities should be removed from the pipeline or from the appliance;
- Remove protecting covers from the strainer ends, degrease and clean the inside of the strainer, and in case of a flanged connection, carefully clean the sealing surfaces;
- Confirm that the marks on the strainers correspond to the projected parameters of the plant (e.g. size, pressure, material etc.) and installation is according to allowable flow direction;
- Confirm that the velocity of the fluid at the place of the installation is in range of the recommended velocity;
- At the moment of testing of a pipeline or an installed appliance strainer; take care about the predicted maximal differential pressure.

5. Usage and maintenance

It is convention during usage of the strainers that all minor defects, if operating conditions allow, should be repaired on the spot. If not, the strainer should be dismantled from the site in order to perform a full repair. If the strainer is severely damaged it should be replaced with a new one. Such repairs protect strainers against further deterioration, being permanently out of work and being the cause of severe accidents in the plant.

In case of leakage through gaskets between strainer connection flanges or between the cover and body, it is necessary to make replacements of the gaskets as soon as possible to prevent damage of the sealing surfaces due to erosion.



WARNING !!!

- If, when a strainer is overhauled, a decrease of wall thickness of more than 30% is detected at any of the ports (due to erosion) the strainer should stop being used;
- Any time when a strainer is dismantled or reinstalled the gaskets should be replaced with new ones with the appropriate quality;
- Strainer maintenance and manipulation during use should be done only by experts and persons well trained for such purpose;
- At the moment of installation of the plant sudden and extreme change of pressure and temperature should be avoided;

6. Service and repair

Only authorized persons should perform service and repair with appropriate tools and, if it is possible, using original spare parts. Personal protection should be applied in accordance with valid regulations and legalizations.

Attention should always be paid to the reliability of the strainers and parameters of the working implementation / plant, and only materials which can successfully replace those originally installed should be used.

For highly reliable strainers (strainers which work with high temperatures, high pressures or with dangerous fluids) any service, repair or replacement should be done professionally and responsibly in accordance with valid regulations for safe working conditions at the plant.

Before the service or reinstallation of the strainers, the plant or installation should be taken out of operation (pressure 0 bar, temperature of strainers should be the same temperature as the environment).

Every Strainer serviced or repaired should be subject to all necessary tests usually performed for a newly produced strainer.

Bolts for connection between body and cover should be tightened evenly and crosswise applying appropriate torque.

Bearing in mind the responsibility of the equipment in the eventual replacement of materials / parts, installed materials must be at least the same or better quality than to the originally.

Possible torques for tightening are listed in Table 2 and the selection of torque depends on the material grade of bolts and nuts used, as well as the quality of the gasket.



Table 2

Nut	M8	M10	M12	M14	M16	M18	M20
Torque (Nm)	8÷20	15÷40	26÷65	42÷100	64÷150	80÷240	125÷300

7. Possible malfunctions and solutions

During the period of usage of the installed strainer malfunctions may occur. Only experts in the premises of the user should undertake repairs. The most common cause of malfunctions and how to overcome such situations is listed in Table 3.

Table 3

Failure	Possible cause	Resolving
Absence of flow	Protection covers are not removed	Remove protection covers from connection ends
	Very dirty filter (net).	Clean out net (Pos.3) or replace net with new one.
Reduced or aggravated flow	Dirty filter (net).	Clean out net (Pos.3) or replace net with new one.
Leakage on cover gasket	Nuts (Pos.5) are not tightened	Evenly tighten the nuts (Pos.5)
	Cover gasket (Pos.6) is damaged	Disassemble cover (Pos.2) and replace cover gasket (Pos.6) with new one

8. Guarantee

The Guarantee issued by “Termovent SC” confirms the safe working of its products under conditions when these products are properly installed in accordance with the instructions in the documentation given to the customer, and usage is in accordance with approved technical conditions and working parameters.

The Guarantee is void if inappropriate parts from other manufacturers are implemented, if the user changes construction, or if there is any decline in function or malfunction due to natural wear and tear.

Guarantee conditions:

The Guarantee is valid for defective parts or defective products, when any such defect is confirmed by an expert engaged by the customer and



approved by experts from our company. In such a situation “Termovent SC” will replace the defective part(s) or defective product(s).

Replacement of defective part(s) or defective product(s) with new one(s) should be done only by an expert engaged by the customer upon approval or by instruction of our experts and in accordance with the instructions for installation.

The Guarantee period is not valid if installation and manipulation of the strainers isn't in accordance with these instructions. The Guarantee period for all replaced parts or product(s) starts from the moment the replacement(s) is/are done.

Guarantee is valid only for following storage and maintenance conditions:

Crate and pallets with strainers should be stored indoors in a building with access limited to authorized personnel only. In the case of an inappropriate storage place crates (or pallets) should be stored under an awning and should be protected against rain and moisture with an appropriate waterproof cover, again with access limited to authorized personnel only.

Strainers should only be taken out of a crate or removed from the covering of a pallet just before installation and only quantity to be installed should be taken out / removed. After the strainers for installation are taken out of a crate (or pallet) the crate/pallet should be closed/covered again.

Do not remove the protector covers from strainers until installation.

Strainers prepared for installation should be manipulated and transported in a careful manner to prevent possible mechanical damage.

WARNING !!!

- After detection of mistakes “Termovent SC” should be informed immediately.
- Claims must be made in writing.

